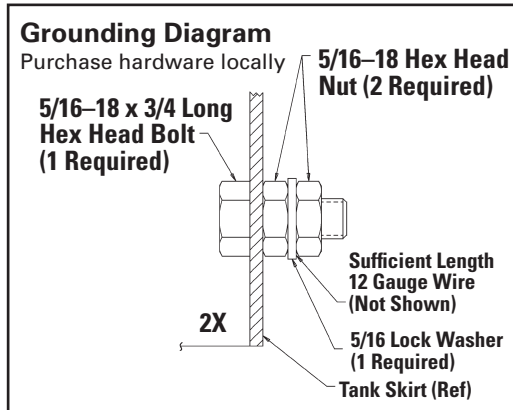


Ref. No.	Replacement Part No.	Description	Individual Parts Req.
1	PT-423	Tank Assy. Kit (Includes Ref. Nos. 1A, 18, 19, 20 & 21)	1
1A	PT-420	Tank Shell	1
2	PT-33-1	Lid Gasket, Santoprene	1
3	PT-425	Lid, Zinc Plated (Agitator)	1
4	PT-418	Air Motor/Adapter Assy. (See Pg. 5 for Breakdown)	1
*5	----	Street Elbow 1/4" NPT (F) x 1/4" NPT (M)	1
■ 6	H-2008	Nipple 1/4" NPT(M) (83C-210 & 83C-220) x 1/4"NPS(M) (83C-211 & 83C-221)	2
7	HA-57011	Hose Assembly	1
8	HAV-500	Air Adjusting Valve 1/4" NPS (F) x 1/4" NPS (M)	1
■ 9	83-2727	Gauge (83C-210, 83C-211) Gauge (83C-220, 83C-221)	1
■*9A	----	Pipe Plug 1/4" NPT(M)(Supplied/Reg)	1
■ 10	HAR-511	Regulator (All regulated models)	1
■ 10A	HAR-507	Regulator (83C-220 & 83C-221)	1
11	SSP-30-ZN	90° Swivel Adapter 1/4" NPS (F) x 1/4" NPT (M)	1
*12	----	Cross 1/4" NPT (F)	1
13	TIA-5080	Safety Valve - 80 PSI	1
14	PT-32	Handle	1
*15	----	Hex Nut 3/8"-16	1
16	AD-11	Nipple 3/8" NPT (M) x 3/8" NPT (M) S.S.	1
*17	SSP-1939	Street Elbow 3/8" NPT (F) x 3/8" NPT (M) S.S.	1
18	----	Thumb Screw	4
19	----	Yoke Assembly	4
20	----	Cotter Pin, 3/32 x 1"	4
21	----	Hinge Pin	4
22	PT-31	Fluid Tube, Galv.	1
23	PT-78-K10 or PT-78-K60	Tank Liner (Kit of 10 or 60)	1
24	PT-426	Lid, Zinc Plated	1
25	SSP-462-ZN	Hex Nipple 1/4" NPT(M)	1
26	SS-2707	Air Relief Valve	1
■ 27	83-4233	D. M. Nipple (Universal Pipe Thread) (83C-210, 83C-211) (83C-220, 83C-221)	2
63	KK-5057	Clamp, Pin & Screw Kit (Includes 1 Ea. Ref. Nos. 18, 19, 20 & 21)	1
65	KK-5076	Safety Valve & Drain Valve Kit (Includes 1 Ea. Ref. Nos. 13 & 26)	1
66	85-451	Air Control Assembly for 83C-210	1
	85-452	Air Control Assembly for 83C-211	1
	85-453	Air Control Assembly for 83C-220	1
	85-454	Air Control Assembly for 83C-221	1

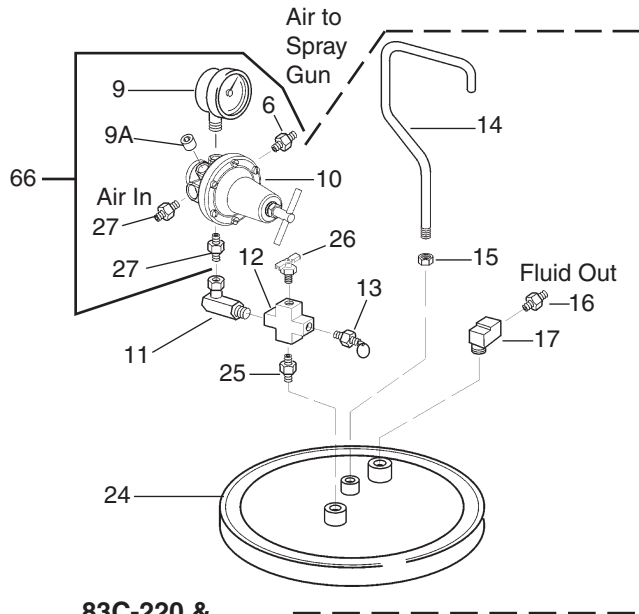
\* Purchase locally.

Suffixes -K2, K5, K10 designate kits of multiple parts.

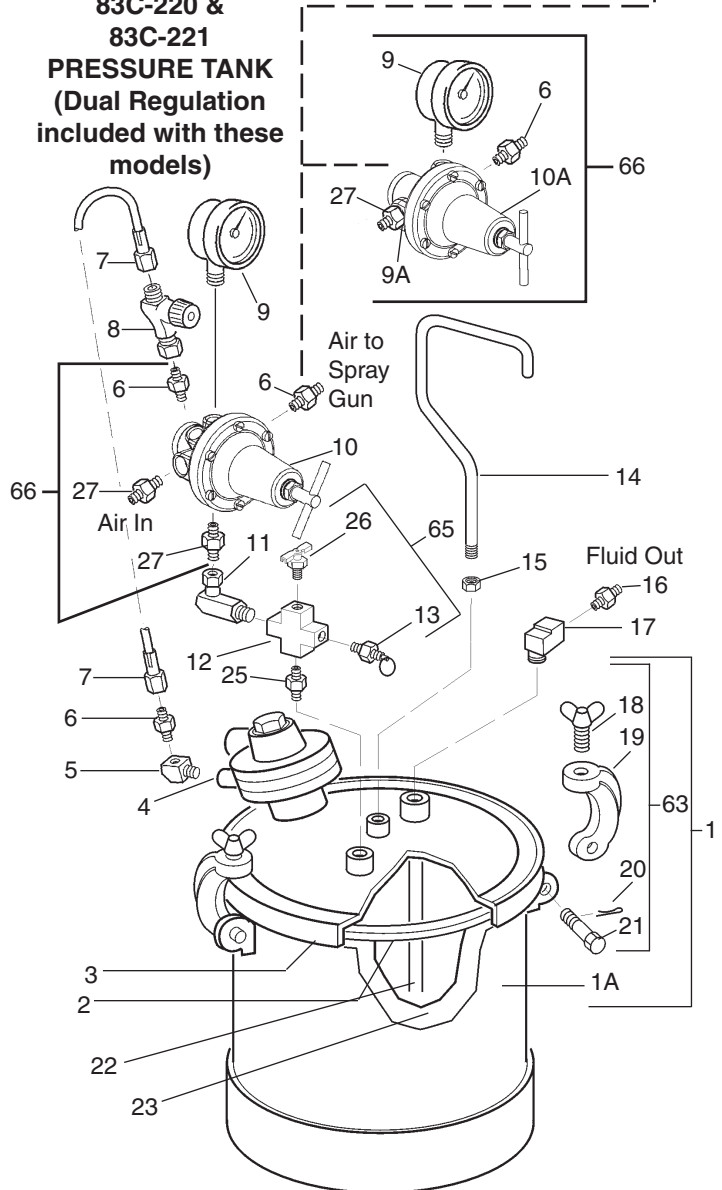
■ Items included within Air Control Assembly (Item 66)



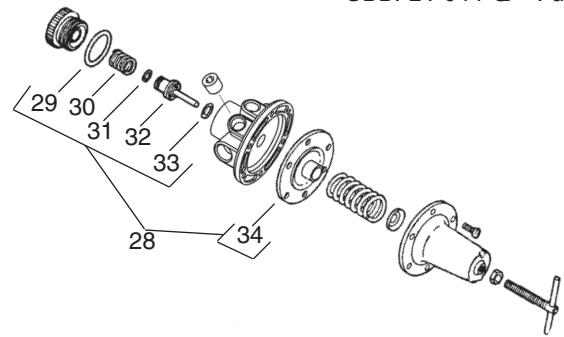
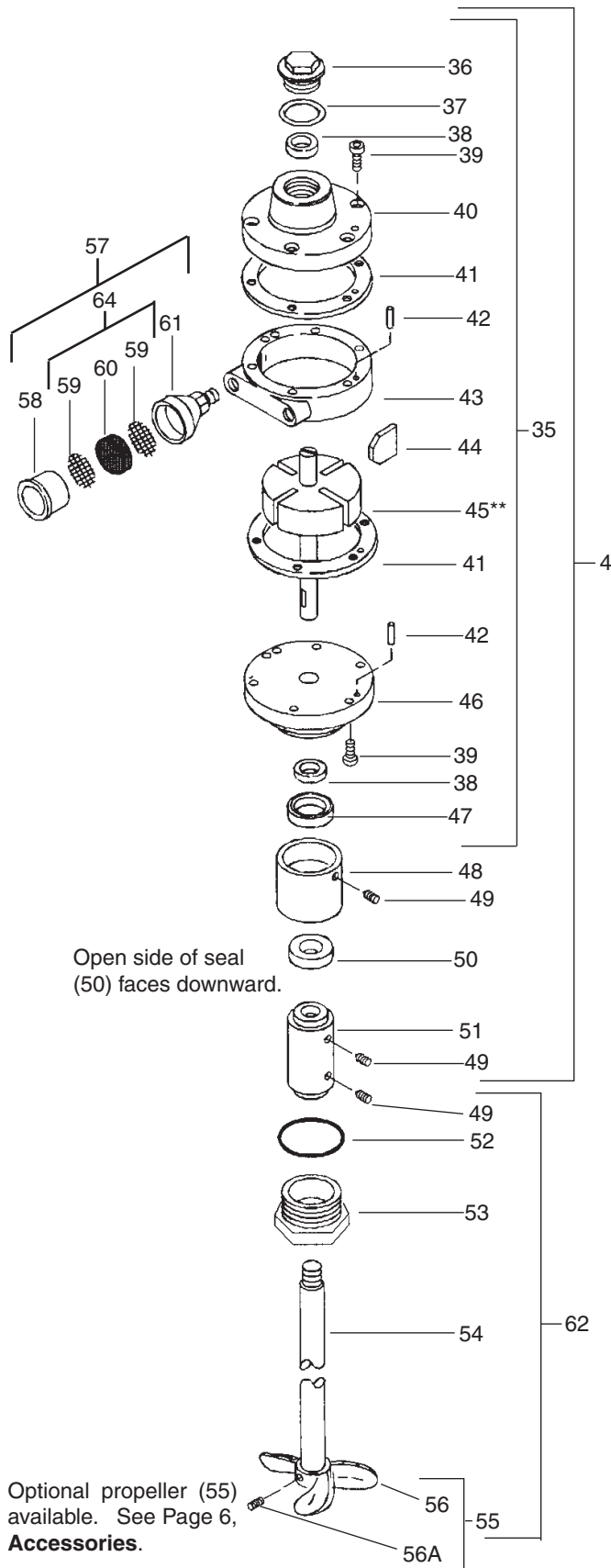
**83C-210 PRESSURE TANK**  
(Includes Ref. No. 1, 2 and 18 thru 23)



**83C-220 & 83C-221 PRESSURE TANK (Dual Regulation included with these models)**



**83C-211 PRESSURE TANK WITH AGITATOR**



**HAR-507 (Ref. No. 10A) & HAR-511 (Ref. No. 10) REGULATOR ASSEMBLIES (HAR-511 shown)**

Ref. No.	Replacement Part No.	Description	Individual Parts Req.
28	KK-4977	Repair Kit	1
29	---	"O" Ring	1
30	---	Spring	1
31	---	"O" Ring	1
32	---	Valve	1
33	---	"O" Ring	1
34	---	Diaphragm Assembly	1
35	PT-410	Air Motor Assembly	1
36	QS-190	End Cap	1
* 37	---	End Cap Gasket	1
38	PT-58	Bearing	2
39	Purchase locally	Screw (1/4"-28 x 1/2")	12
40	---	Front Plate	1
* 41	PT-59-1-K10	End Plate Spacer	2
42	QS-189-1-K10	Dowel Pin (Kit of 10)	4
43	---	Body	1
* 44	---	Vane	4
45	---	Rotor Assembly	1
46	---	End Plate	1
47	37-90	Shaft Seal	1
+ 48	PT-50	Air Motor Adapter	1
+ 49	Purchase locally	Set Screw (1/4"-20 x 1/4")	4
+ 50	KK-5041	Seal Assembly	1
• 51	QMG-441	Shaft Coupling Kit (Includes #49)	1
+ 52	SSG-8096-K5	"O" Ring (Kit of 5)	1
+ 53	PT-70	Adapter Nut	1
• 54	QMG-56	Shaft	1
• 55	QMS-448	Propeller Assy.	1
56	---	Propeller	1
56A	Purchase locally	Set Screw (1/4"-20 x 3/8" S.S.)	1
57	350-401	Muffler Assembly	1
58	---	Body	1
59	---	Screen	2
* 60	---	Felt	1
61	---	Cap	1
62	PT-428	Agitator Shaft Assembly (Includes 1 Ea. Ref. Nos. 49, 52, 53, 54 & 55)	1
64	KK-5006	Strainer Screen & Felt Kit (Includes 2 Ea. Ref. No. 59 & 4 Ea. Ref. No. 60)	1

PT-418 Air Motor/Adapter Ass'y (Ref. No. 4)  
Includes Ref. Nos. 35, 48, 49, 50, & 51.

\* Parts included in KK-5001-1 Air Motor Repair Kit.  
+ Parts included in KK-5074 Air Motor Adapter Kit.  
• Parts included in KK-5075 Agitator Shaft Assembly.