

FIGURE 1 - TYPICAL INSTALLATION

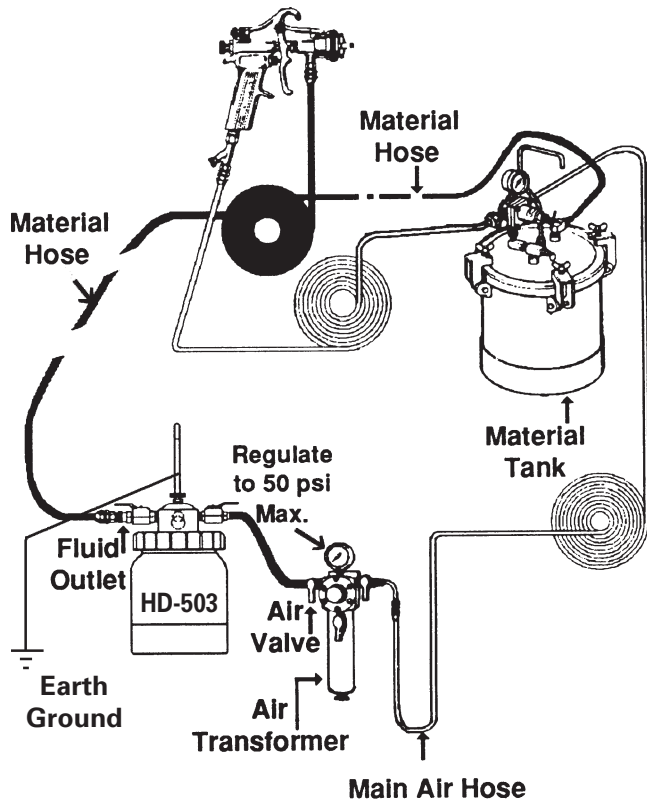
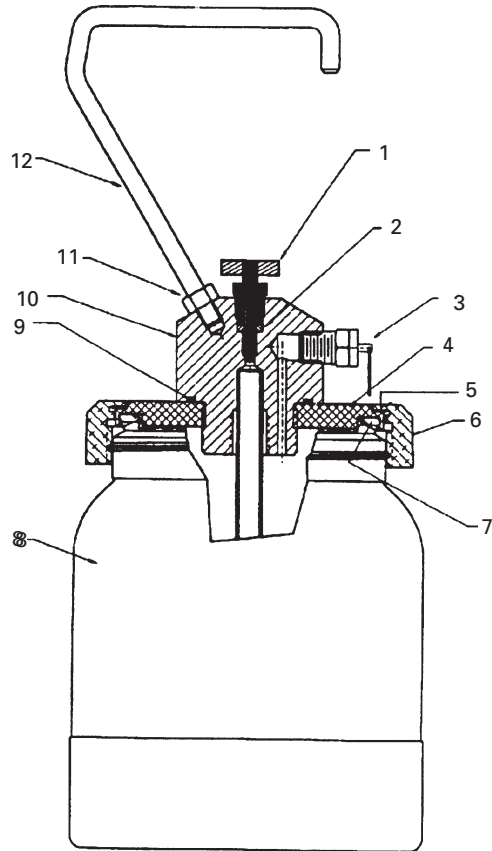


FIGURE 2 - HD-503 HOSE/GUN CLEANER CROSS SECTION VIEW



**ACCESSORIES**

**Air Supply Hose:**

H-1921 or 71-20000 Air Hose - with static ground wire braid, 5/16" ID. Also need two 3-piece reusable P-HC-4527 or 72-1317 connectors.

or

H-1958 or 71-21000 Air Hose - with static ground wire braid, 3/8 ID. Also need two 3-piece reusable P-HC-4528 or 72-1325 connectors.

**Fluid Delivery Hose:**

H-1973-1 or 71-282 Nyliner II fluid hose - 3/8" ID. Also need two 3-piece reusable P-HC-4548 or 72-1328 connectors.

**PARTS LIST**

Ref. No	Replacement Part Number	Description	Ind. Parts Req.
1	HD-409	Needle Valve Assy.	1
2	HD-39-K2	Needle Valve Gasket (Kit of 2)	1
3	TIA-4355	Safety Valve	1
4	HD-42	Lid	1
5	KB-81-K5	Ring Gasket (Kit of 5)	1
6	KB-64	Retaining Ring	1
7	KB-80-K5	Gasket Kit (Kit of 5)	1
8	KB-422	Cup (2 quart)	1
9	SSG-8184-K2	O-Ring Kit (Kit of 2)	1
10	HD-408	Hub Assembly	1
11	---	Nut (5/16-18)	1
12	KB-74	Handle	1
13	VA-542	Ball Valve, 1/4 NPS (air) (not shown)	1
14	VA-540	Ball Valve, 3/8 NPS (fluid) (not shown)	1

• Purchase locally.



**PROP 65 WARNING**

WARNING: This product contains chemicals known to the State of California to cause cancer and birth defects or other reproductive harm.

**IT IS THE RESPONSIBILITY OF THE EMPLOYER TO PROVIDE THIS INFORMATION TO THE OPERATOR OF THE EQUIPMENT.**

**FOR FURTHER SAFETY INFORMATION REGARDING BINKS AND DEVILBISS EQUIPMENT, SEE THE GENERAL EQUIPMENT SAFETY BOOKLET (77-5300).**