

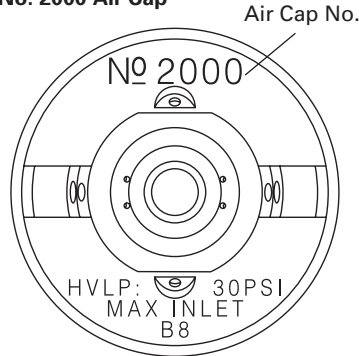
**PARTS REPLACEMENT**

**Figure 1 Air Cap and Baffle Identification**

**NOTE:**

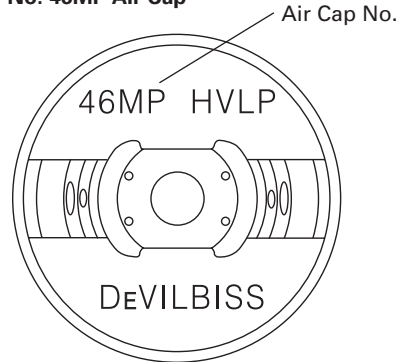
The baffle is specially designed to give the required performance for the correct air cap. Use of incorrect baffle and air cap will result in substandard performance and/or improper air cap pressures. (See Chart 1 for ordering correct baffle.)

**No. 2000 Air Cap**



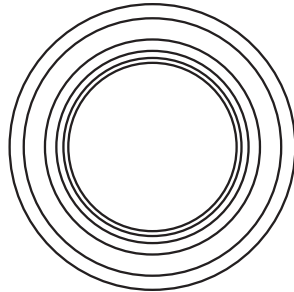
Maximum air pressure required to assure compliance of 10 PSI max. cap pressure – this reading must be taken at the spray gun handle inlet fitting.

**No. 46MP Air Cap**



The 46MP Air Cap doesn't have markings showing the maximum air pressure required to assure compliance of 10 PSI max. cap pressure. That value is located on the front of the baffle. (See view below.)

**Baffle for #2000 Air Cap**

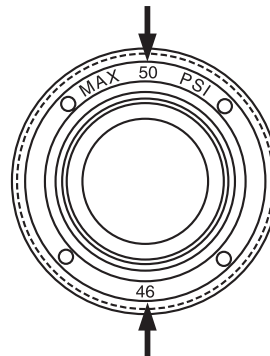


**NOTE:**

The baffle used with the #2000 cap doesn't have any markings on it. The maximum air pressure required to assure compliance of 10 PSI max. cap pressure is located on the face of the air cap. (See view above.)

**Baffle for #46MP Air Cap**

Maximum air pressure required to assure compliance of 10 PSI max. cap pressure – this reading must be taken at the spray gun handle inlet fitting.



Air cap number located on face of cap. Cap number must correspond with baffle number to assure 10 PSI cap pressure.

**Chart 1**

Air Cap & Baffle Combinations		Set		CFM@ Cap Pressure				
No. Stamped on Parts		Ref. No. 4 Air Cap	Ref. No. 6 Baffle Assy.	2 psi	4 psi	6 psi	8 psi	10 psi
Air Cap Part No.	Baffle							
2000	(Not Stamped)	GTI-407-2000	GTI-425	7.3	10.4	12.8	14.7	16.5
46MP	46	GTI-407-46MP	*JGPV-401-46-50	8.5	13.0	16.5	19.8	22.5

\*Note: Baffle seal not used with JGPV-401-46-50 baffle.

**PARTS REPLACEMENT**

**Chart 2**

**Fluid Tip and Needle**

If this No. is on Needle, Order →	If This No. is on Tip, Order →	Matched Fluid Tip & Needle Assembly	Tip Size (I.D.)	
			In.	mm.
JGA-402-FF	AV-2120-FF	JGA-4045-FF	.055	1.4
JGA-402-FX	AV-2120-FX	JGA-4045-FX	.042	1.1

**Note:** Do not use AV-1 copper gasket with this spray gun.

**GTI-33 Baffle Seal Replacement**

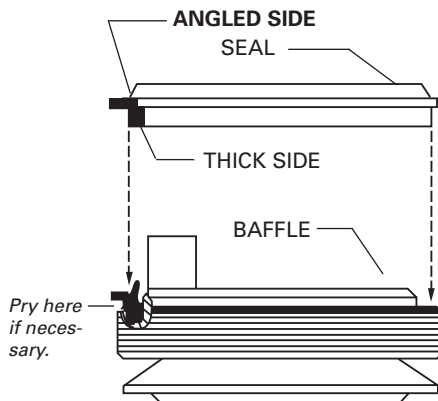
(For guns with #2000 cap only.)

1. Remove Fluid Tip (5).
2. Remove baffle (6).
3. Remove Seal (7) from baffle.

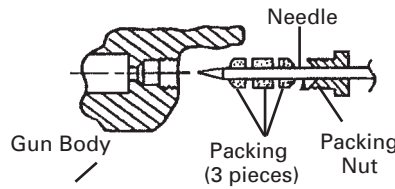
**NOTE**

The seal is designed to be a tight fit on the baffle. The seal should be able to be removed using your fingers. If you are unable to remove the seal using your fingers, insert a small screwdriver between the outer lip and the back of the baffle and pry the seal off.

4. Assemble seal to baffle with **angled side up** as shown below. **NOTE:** The seal should be a tight fit on the baffle. If it is a loose fit on the baffle, assure that it is assembled with the angled side up.
5. Install baffle on gun.
6. Install fluid tip (5) and tighten to 15-20 ft.-lbs.



**JGA-4035 Packing Replacement Instructions**



1. Remove adjusting knob and needle spring from gun.
2. Partially withdraw needle from gun body.
3. Loosen packing nut and remove.
4. Remove old packing.
5. Assemble packing nut to needle
6. Assemble packing in order shown to needle.
7. Insert needle all the way into gun body seating in tip.
8. Install needle spring and adjusting knob.
9. Thread packing nut into gun body.
10. Tighten packing nut in equal increments – no more than 1/6 turn at a time.
11. After each adjustment, pull needle open and observe needle closure.
12. If needle snaps shut, continue adjusting nut until there is evidence of needle bind or slow closing.
13. Back off packing nut 1/2 turn to the point where needle snaps shut. Packing nut must remain tight enough to prevent loosening by hand.
14. Pull needle several times to verify needle snaps shut and check packing nut for looseness.

**FLUID INLET GASKET (32) REPLACEMENT INSTRUCTIONS**

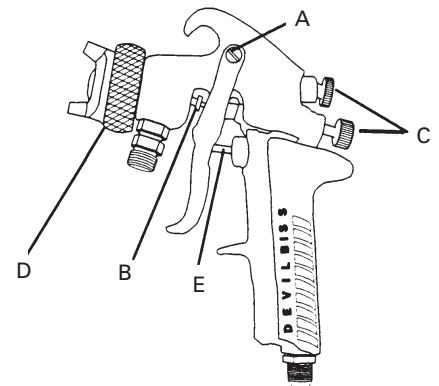
1. Remove fluid inlet adapter (34) with appropriate wrench.
2. Clean Loctite from gun body inlet threads and seal area.
3. Place gasket (32) squarely onto the fluid inlet adapter and push it down until it is flat against the shoulder.
4. Use medium strength thread sealant (i.e. Devcon 2242 blue, or equal) on threads before installing fluid inlet adapter.
5. Torque fluid inlet adapter to 20-25 ft. lbs. and tighten locknut.

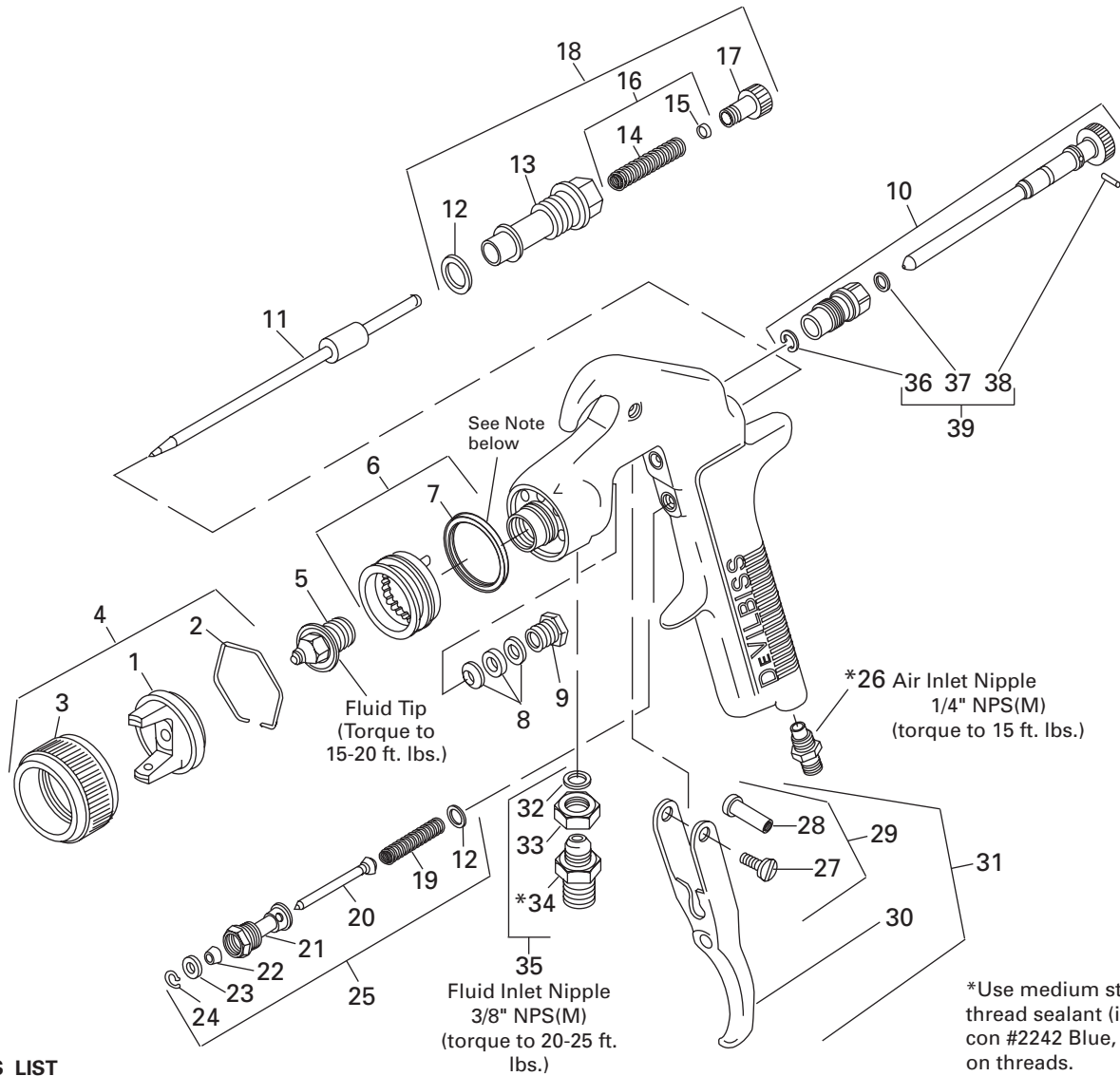
**SPRAY GUN LUBRICATION**

Daily, apply a drop of SSL-10\* spray gun lube at trigger bearing stud (28) and the stem of air valve (20) where it enters air valve assembly. The shank of fluid needle (11) where it enters packing nut (9) should also be oiled. Fluid needle packing (3) threads are clean and free of foreign matter. Before assembling retaining ring to baffle, clean the threads thoroughly, then add two drops of SSL-10 spray gun lube to threads. Fluid needle spring (14) and air valve spring (19) should be coated with a very light grease, making sure that any excess grease will not clog the air passages. For best results, lubricate the points indicated, daily.

\* Not for air tools or high RPM equipment.

- A. Trigger Points
- B. Packing
- C. Adjusting Knobs
- D. Baffle Threads
- E. Air Valve Cartridge





**PARTS LIST**

Ref. No.	Replacement Part No.	Description	Ind. Parts Req.
1	---	Air Cap	1
2	JGA-156-K10	Spring Clip (Kit of 10)	1
3	GTI-3	Air Cap Retaining Ring	1
4	See Chart 1	Air Cap & Retaining Ring	1
5	See Chart 2	Fluid Tip	1
6	See Chart 1	Baffle Assembly	1
•7	GTI-33-K5	Baffle Seal (Kit of 5)	1
•8	JGA-4035-K5	Packing (Kit of 5)	1
9	34411-122-K10	Packing Nut	1
10	GTI-405	Spreader Valve	1
11	See Chart 2	Fluid Needle	1
•12	JGS-72-K10	Gasket Kit (PTFE) (Kit of 10)	2
13	---	Body Bushing	1
•14	---	Fluid Needle Spring	1
•15	---	Spring Pad	1
16	MBD-19-K10	Spring and Pad (Kit of 10)	1
17	GTI-414	Needle Adjusting Screw	1
18	KK-5059	Bushing, Spring, Pad and Knob Kit	1
•19	---	Air Valve Spring	1
•20	---	Air Valve	1
21	---	Air Valve Body	1

Ref. No.	Replacement Part No.	Description	Ind. Parts Req.
•22	---	U Cup Seal	1
•23	---	Washer	1
•24	---	Snap Ring	1
25	JGS-449-1	Air Valve Assembly	1
26	P-MB-51	Air Inlet Nipple 1/4" NPS(M)	1
27	---	Trigger Stud Screw	1
28	---	Trigger Stud	1
29	JGS-478	Stud and Screw Kit	1
30	---	Trigger	1
31	JGS-477-1	Trigger Stud, Screw Kit	1
•32	---	Fluid Inlet Gasket (PTFE)	1
33	---	Locknut	1
34	---	Fluid Inlet Adapter	1
35	JGA-4042	Fluid Inlet, Gasket, Nut Kit	1
•36	---	Retaining Clip	1
•37	---	Seal	1
•38	---	Pin	1
39	GTI-428-K5	Clip, Seal & Pin Kit (5 each)	1

• KK-5058-2 Gun Repair Kit includes a quantity of necessary parts. Suffixes -K5, -K10 designate kits of multiple parts. Example: JGA-4035-K5 is a kit of 5 packings.

**Note:** Baffle seal **NOT** used with GTI-546P gun (46MP air cap).